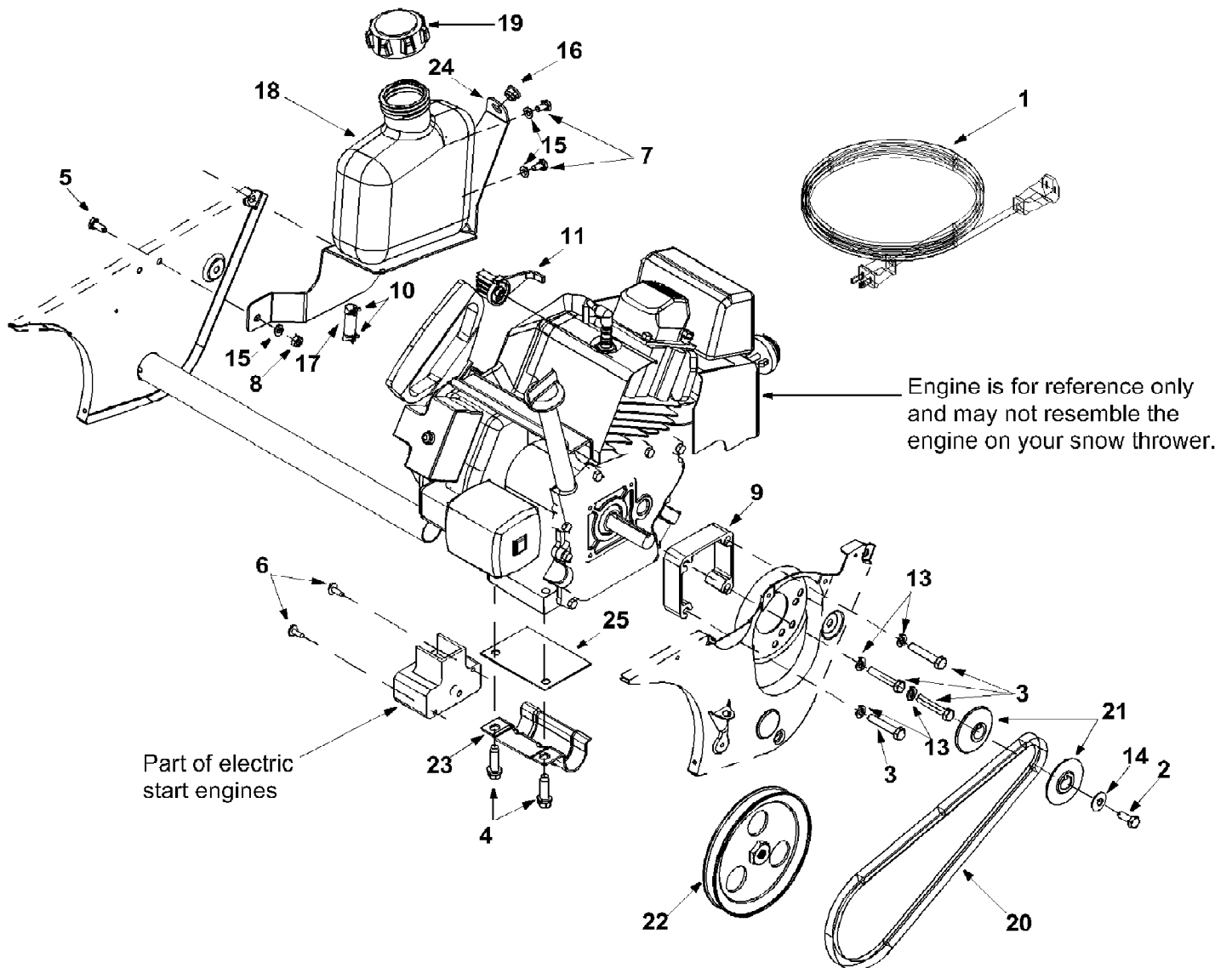


31AE295-190 Snow Boss SB-721 (2002)  
Chute

Page 2 of 9

| Ref # | Part Number | Qty | S/P/F | Description                 |
|-------|-------------|-----|-------|-----------------------------|
| 1     | 710-0276    | 1   | /P    | Carriage Screw: Special     |
| 2     | 710-0451    | 1   | /P    | Carr. Bolt 5/16-18 x 0.750" |
| 3     | 710-3015    | 1   | /P    | Hex Screw 1/4-20 x 0.75"    |
| 4     | 712-3027    | 1   | S     | Lock Nut                    |
| 5     | 712-3068    | 1   | S     | Hex Lock Nut                |
| 6     | 720-0284    | 1   | S     | Hand Knob                   |
| 7     | 731-0851A   | 1   | /P    | Flange Keeper: Chute        |
| 8     | 731-0915B   | 1   | S     | Lower Chute                 |
| 9     | 731-0921    | 1   | S     | Upper Chute                 |
| 10    | 736-0159    | 1   | S     | Washer                      |



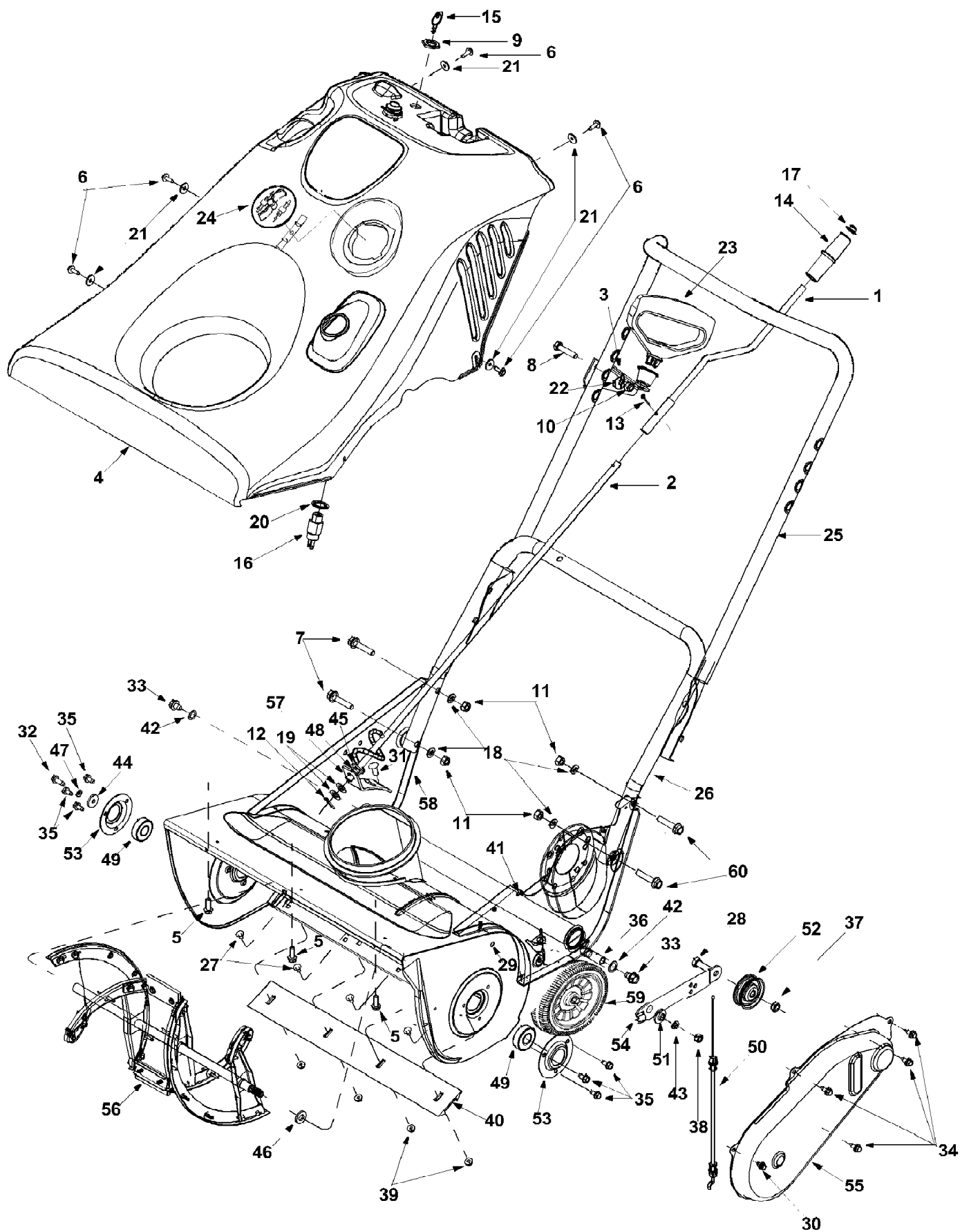
**NOTE:** For painted parts, please refer to the list of color codes below. Please add the applicable color code, wherever needed, to the part number to order a replacement part. For instance, if a part, numbered 700-xxxx, is painted Red Metallic, the part number to order would be 700-xxxx-0650.

Red Metallic: 0650  
 Powder Black: 0637

31AE295-190 Snow Boss SB-721 (2002)  
Drive & Engine Accessories

Page 4 of 9

| Ref # | Part Number | Qty | S/P/F | Description                 |
|-------|-------------|-----|-------|-----------------------------|
| 1     | 629-0236    | 1   | /P    | Extension Cord              |
| 2     | 710-0157    | 1   | /P    | Hex Bolt 5/16-24 x 0.75"    |
| 3     | 710-0409    | 1   | /P    | Hex Bolt 5/16-24 x 1.75"    |
| 4     | 710-0502A   | 1   | /P    | TT Sems Screw               |
| 5     | 710-0751    | 1   | /P    | Hex Screw 1/4-20 x 0.620"   |
| 6     | 710-1003    | 1   | /P    | B Screw #10-16 x 0.625"     |
| 7     | 710-3013    | 1   | /P    | Hex Screw 1/4-20 x 0.50"    |
| 8     | 712-3006    | 1   | /P    | Hex Nut 1/4-20              |
| 9     | 719-0581    | 1   |       | Spacer                      |
| 10    | 726-0205    | 1   | /P    | Hose Clamp                  |
| 11    | 731-2005    | 1   |       | Choke Knob                  |
| 13    | 736-0119    | 1   | S     | Lock Washer                 |
| 14    | 736-0242    | 1   | /P    | Beleville Washer            |
| 15    | 736-0329    | 1   | S     | Lock Washer                 |
| 16    | 741-0475    | 1   | S     | Plastic Bushing             |
| 17    | 751-0535    | 1   |       | Fuel Line Hose              |
| 18    | 751-0540A   | 1   | /P    | Gas Tank                    |
| 19    | 751-0603    | 1   | S     | Fuel Cap                    |
| 20    | 754-0101A   | 1   | S     | V-Belt                      |
| 21    | 756-0416B   | 1   | S     | V-Pulley Half               |
| 22    | 756-0475    | 1   | /P    | Pulley                      |
| 23    | 784-0322    | 1   | S     | Engine Mount                |
| 24    | 784-0323    | 1   | S     | Support Bracket             |
| 25    | 784-0374    | 1   | S     | Support Plate: Engine Mount |



31AE295-190 Snow Boss SB-721 (2002)  
General Assembly

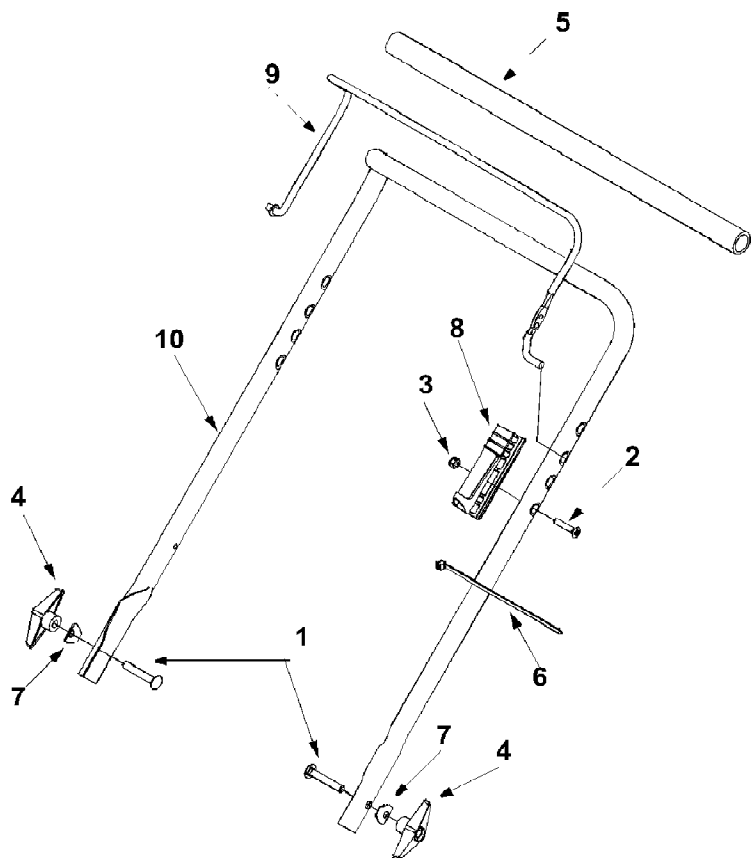
Page 6 of 9

| Ref # | Part Number | Qty | S/P/F | Description                   |
|-------|-------------|-----|-------|-------------------------------|
| 1     | 747-1311    | 1   | S     | Upper Chute Crank Assembly    |
| 2     | 684-0177    | 1   |       | Lower Chute Crank Assembly    |
| 3     | 684-0178    | 1   | S     | Bracket Assembly: Mitten Grip |
| 4     | 684-0192    | 1   |       | Shroud:Black, 7 Hp. Electric  |
| 5     | 710-0895    | 1   |       | TT Screw 1/4-15 x 0.75"       |
| 6     | 710-1003    | 1   | /P    | B Screw #10-16 x 0.625"       |
| 7     | 710-1882    | 1   |       | Hex Flange Screw              |
| 8     | 710-3083    | 1   | /P    | Hex Bolt 5/16-18 x 1.375"     |
| 9     | 712-0252    | 1   | /P    | Jam Nut                       |
| 10    | 712-0429    | 1   | S     | Lock Nut                      |
| 11    | 712-3010    | 1   | S     | Hex Nut 5/16-18               |
| 12    | 714-0104    | 1   | S     | Cotter Pin                    |
| 13    | 714-0507    | 1   | S     | Cotter Pin                    |
| 14    | 720-0201A   | 1   | /P    | Knob: Chute Crank             |
| 15    | 725-0201    | 1   | S     | Ignition Key                  |
| 16    | 725-2018    | 1   | S     | Switch: Electric Start Key    |
| 17    | 726-0100    | 1   | S     | Push Cap                      |
| 18    | 736-0119    | 1   | S     | Lock Washer                   |
| 19    | 736-0185    | 1   | S     | Flat Washer                   |
| 20    | 736-0225    | 1   | /P    | Internal Lock Washer          |
| 21    | 736-0400    | 1   | S     | Flat Washer                   |
| 22    | 736-0451    | 1   | S     | Saddle Washer                 |
| 23    | 7519636     | 1   | S     | Mitten Grip Handle            |
| 24    | 684-0189    | 1   |       | Spark Plug Access - Black     |
| 25    | 749-0711A   | 1   |       | Upper Handle: Gull Wing       |
| 26    | 749-0796B   | 1   | S     | Lower Handle                  |
| 27    | 710-0167    | 1   | /P    | Carriage Screw 1/4-20 x 0.50" |
| 28    | 710-0191    | 1   | /P    | Hex Bolt                      |
| 29    | 710-0323    | 1   | /P    | Machine Screw                 |
| 30    | 710-0352    | 1   | /P    | B Screw 1/4-14 x 0.375"       |
| 31    | 710-0451    | 1   | /P    | Carriage Bolt                 |
| 32    | 710-0642    | 1   | /P    | TT Screw 1/4-20 x 0.75"       |
| 33    | 710-0773    | 1   |       | TT Screw 3/8-16 x 0.5"        |
| 34    | 710-0896    | 1   | /P    | AB Screw 1/4-14 x 0.625"      |
| 35    | 710-1005    | 1   | S     | B Screw 1/4-14 x 0.5"         |
| 36    | 711-0848A   | 1   | S     | Axle Tube                     |
| 37    | 712-0116    | 1   | S     | Jam Lock Nut                  |
| 38    | 712-3010    | 1   | S     | Hex Nut 5/16-18               |
| 39    | 712-3027    | 1   | S     | Lock Nut                      |
| 40    | 731-1033    | 1   | /P    | Shave Plate                   |
| 41    | 732-0357A   | 1   | S     | Extension Spring              |
| 42    | 736-0108    | 1   | S     | Flat Washer                   |
| 43    | 736-0119    | 1   | S     | Lock Washer                   |
| 44    | 736-0176    | 1   | S     | Flat Washer                   |
| 45    | 736-0242    | 1   | /P    | Beleville Washer              |
| 46    | 736-0326    | 1   | S     | Flat Washer                   |
| 47    | 736-0329    | 1   | S     | Lock Washer                   |
| 48    | 741-0475    | 1   | S     | Plastic Bushing               |
| 49    | 741-0600    | 1   | S     | Ball Bearing                  |
| 50    | 746-0910A   | 1   | S     | Clutch Cable                  |
| 51    | 748-0234    | 1   | /P    | Shoulder Spacer               |
| 52    | 756-0313    | 1   | /P    | Flat Idler                    |
| 53    | 784-5174    | 1   | S     | Shoulder Spacer               |

31AE295-190 Snow Boss SB-721 (2002)  
General Assembly

Page 7 of 9

| Ref # | Part Number | Qty | S/P/F | Description            |
|-------|-------------|-----|-------|------------------------|
| 54    | 784-5175B   | 1   | S     | Bracket: Brake Idler   |
| 55    | 784-5176    | 1   |       | Belt Cover             |
| 56    | 784-5485    | 1   | S     | Auger Assembly         |
| 57    | 784-5720    | 1   | S     | Chute Crank Bracket    |
| 58    | 684-0196    | 1   |       | Auger Housing Assembly |
| 59    | 734-1797    | 1   | /P    | Wheel Assembly         |
| 60    | 710-1090    | 1   | /P    | Hex Flange Screw       |



**NOTE:** For **painted parts**, please refer to the list of color codes below. Please add the applicable color code, wherever needed, to the part number to order a replacement part. For instance, if a part, numbered 700-xxxx, is painted Red Metallic, the part number to order would be 700-xxxx-0650.

Red Metallic: 0650  
Powder Black: 0637



31AE295-190 Snow Boss SB-721 (2002)  
Handle

Page 9 of 9

| Ref # | Part Number | Qty | S/P/F | Description                   |
|-------|-------------|-----|-------|-------------------------------|
| 1     | 710-0487    | 1   | /P    | Carriage Screw 5/16-18 x 2.0" |
| 2     | 710-1270    | 1   |       | Machine Screw                 |
| 3     | 712-0324    | 1   | /P    | Hex Lock Nut 1/4-20           |
| 4     | 720-0284    | 1   | S     | Hand Knob w/ Wing Nut         |
| 5     | 720-0295    | 1   | /P    | Foam Grip                     |
| 6     | 725-0157    | 1   | /P    | Cable Tie                     |
| 7     | 736-0451    | 1   | S     | Saddle Washer                 |
| 8     | 746-0883    | 1   |       | Control Housing               |
| 9     | 747-0956    | 1   |       | Auger Bail                    |
| 10    | 749-0711A   | 1   |       | Upper Handle: Gull Wing       |